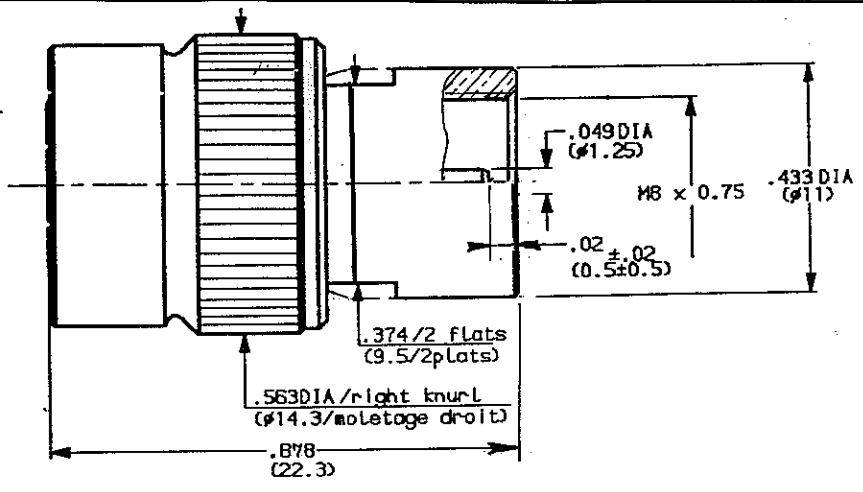


EASY CONNECT ADAPTATOR
TNC M

SERIES:TNC

1 / 1



WEIGHT Ø2 (g) - CABLES : -

CHARACTERISTICS

NOMINAL IMPEDANCE	50 Ω	STANDARDISATION	-
FREQUENCY RANGE	0-1 GHz		-
TEMPERATURE RATING	-55/+100 °C		-
VSWR	NA + 0 x F(GHz)Max1		-
RF INSERTION LOSS	NA √F(GHz) dB Maxi	CABLE RETENTION	0 lb min NA N
VOLTAGE RATING	500 Vrms Max	CENTER CONTACT RETENTION	
DIELECTRIC WITHSTANDING VOLTAGE	1500 Vrms min	Axial force - mating end	5.95 lb min 27 N
INSULATION RESISTANCE	5000 MΩ min	Axial force - opposite end	0 lb min 0 N
HERMETIC SEAL	- cc/s NA Atm.cm3/s	Torque (Min)	0 Inch.oz NA cm.N
LEAKAGE (pressurized only)	- psi NA MPa	RECOMMENDED TORQUES	
-	-	Mating	0 Inch.1b 0 cm.N
-	-	Panel nut	0 Inch.1b 0 cm.N
-	-	Clamp nut	0 Inch.1b 0 cm.N

CONSTRUCTION

CONNECTOR PARTS	MATERIALS	FINISH
BODY	BRASS	NICKEL
OUTER CONTACT	BRASS	NICKEL
CENTER CONTACT	BRASS	GOLD
INSULATOR	WHITE POLYPROPYLENE	-
COUPLING NUT	BRASS	NICKEL
-	-	-
-	-	-
-	-	-
-	-	-

ISSUE	REVISION No	DESCRIPTION	BY	DATE
9717	97.03.007	Coupling nut ZNICK → BRASS		
9702	97.03.017		BERTHET	10.01.94
9323	97.06.020	changed body	BERTHET	10.6.93

Initiated on 12/02/93
Superseded on - - - -
The information given here is subject to change without notice. Design changes may be in order to improve the product.

